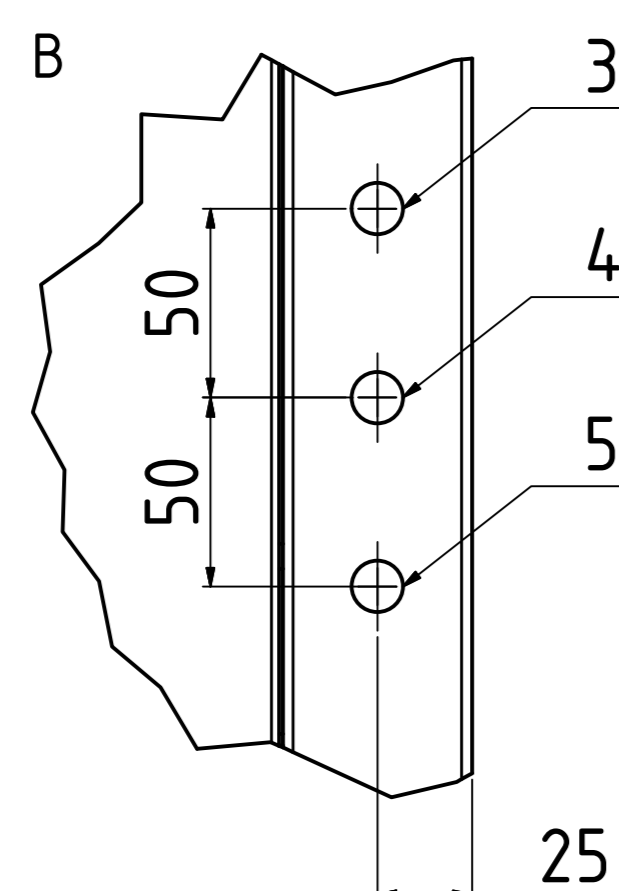
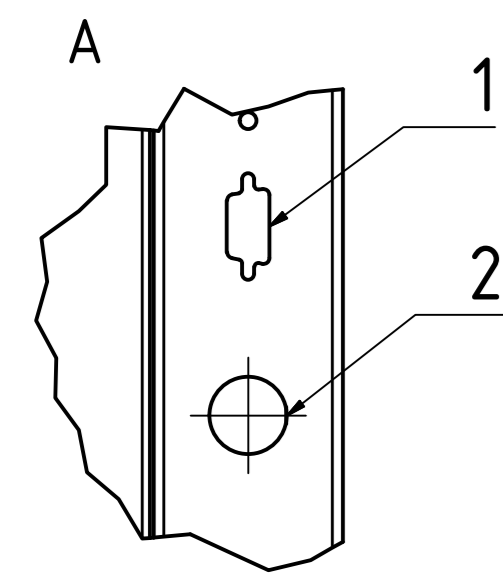
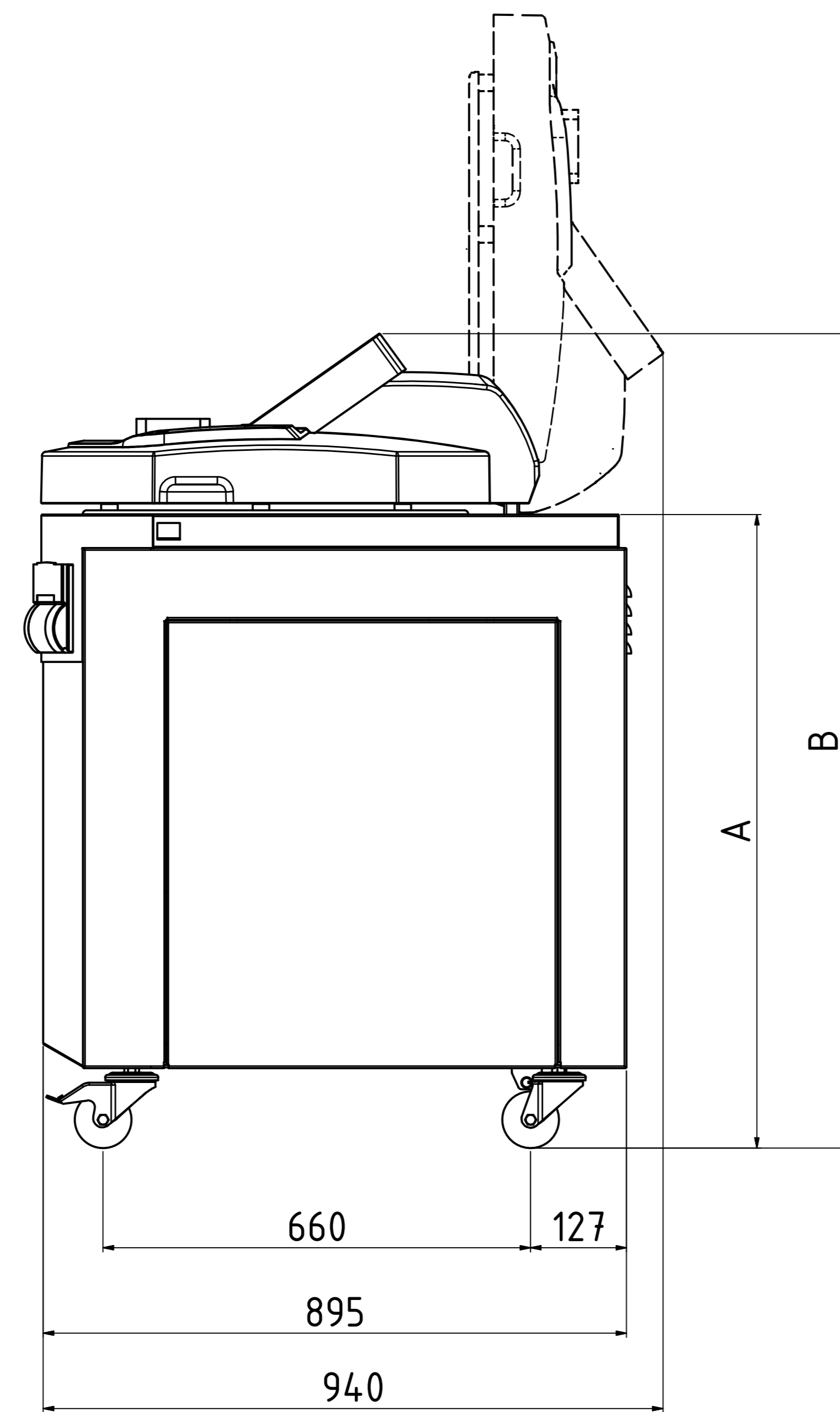
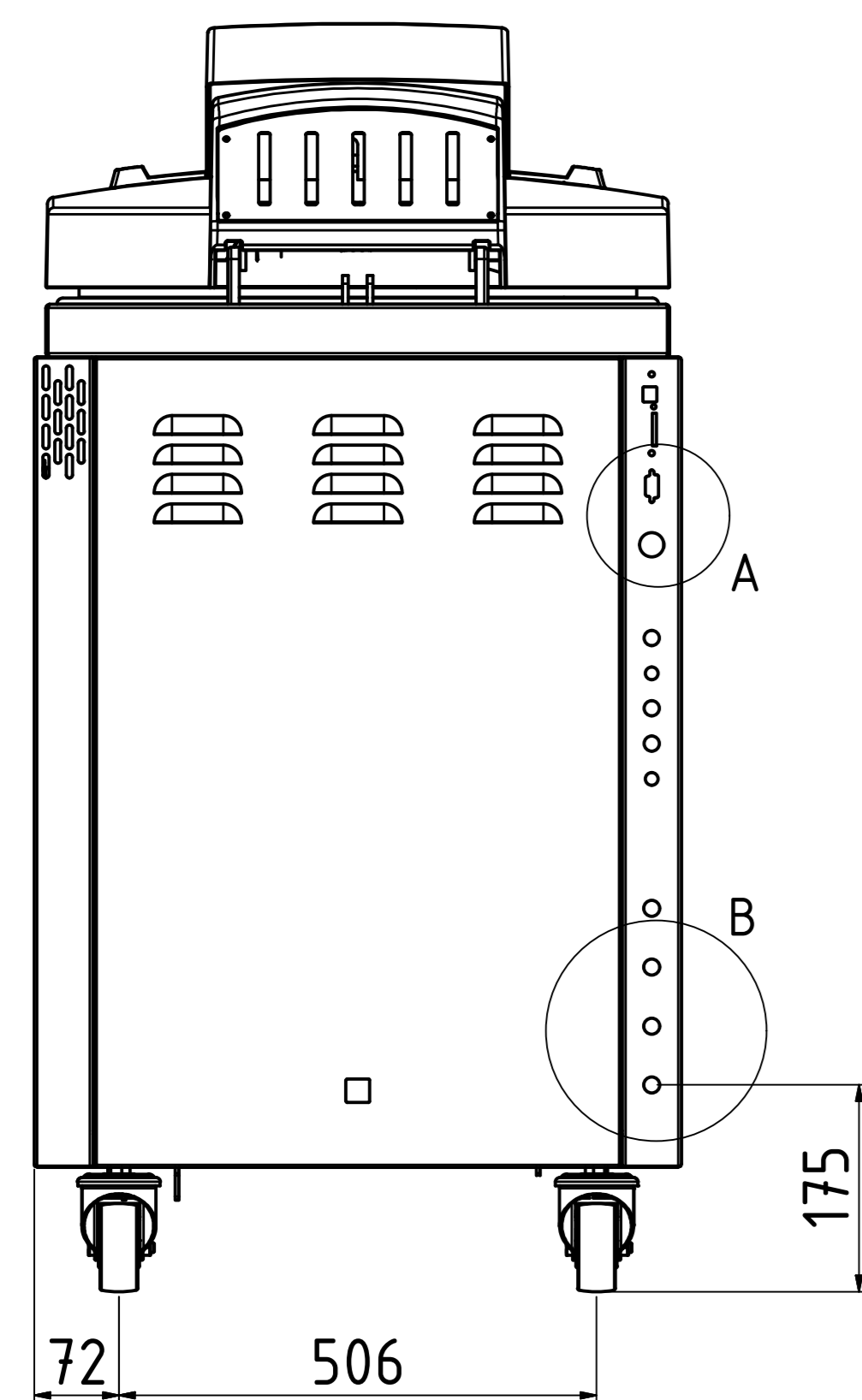
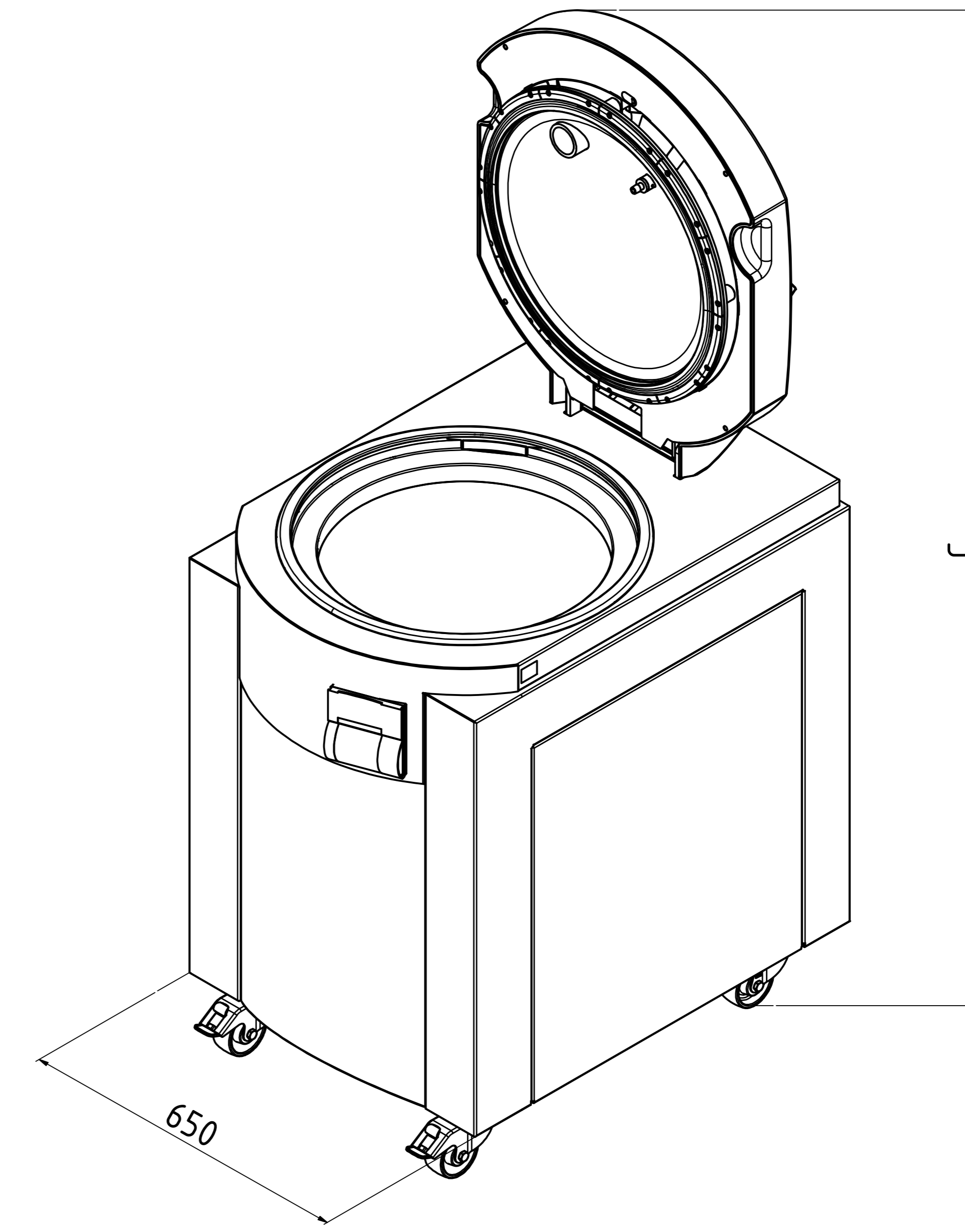
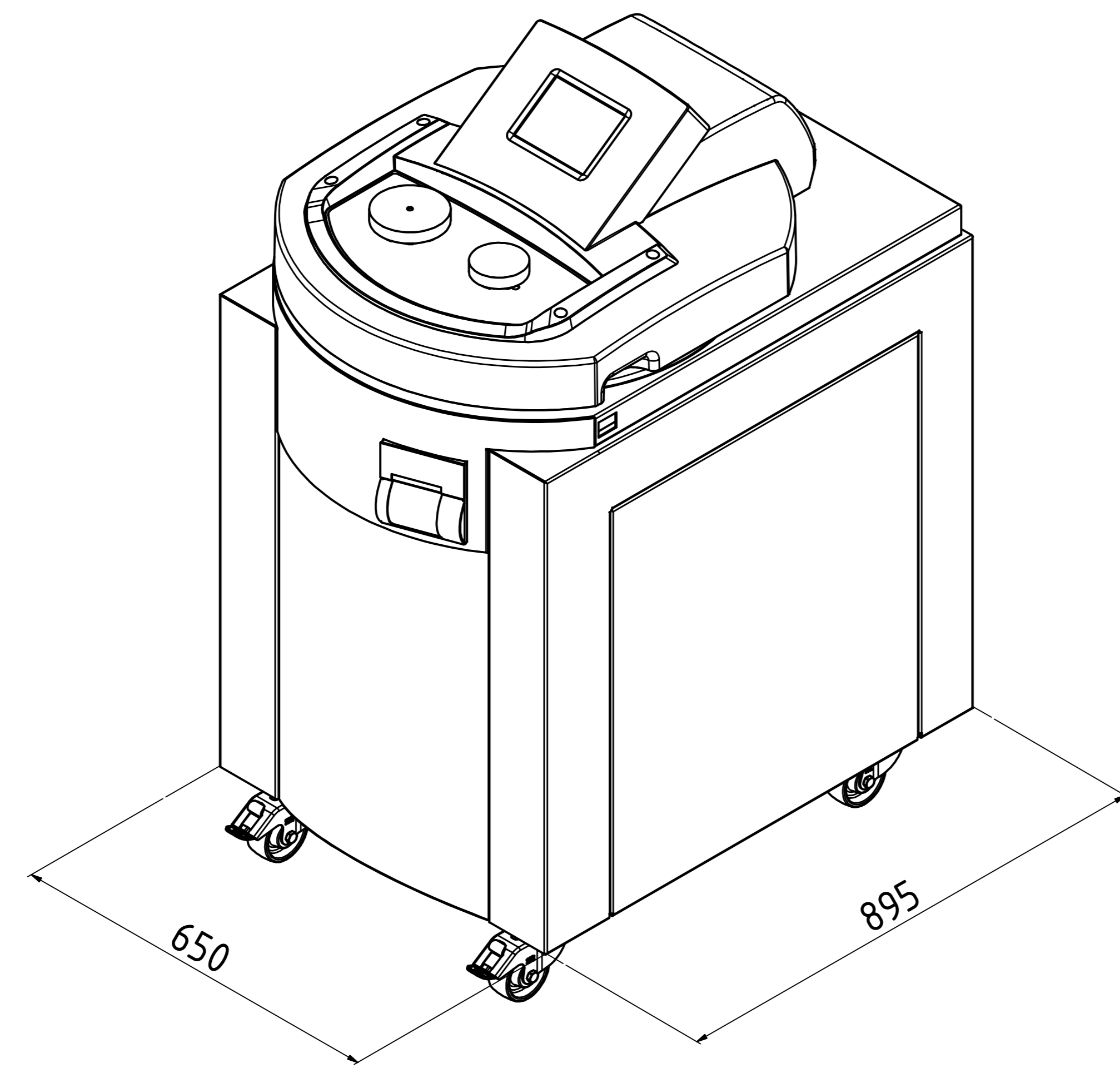


Systemec Mediaprep-90 / Mediaprep-120



| Technical data | | | | |
|----------------|-----------------------------------|------------------------|-----------|---|
| No. | Description | Size | Mediaprep | Comments |
| 1 | Interface | | X | RS-232 (Ethernet network and USB compatible) |
| 2 | Power supply* | | X | 3x400V+N+PE / 32Ampere / CEE socket |
| 3 | Demineralized water* ³ | Quick-release coupling | X | 3/4 external thread on site, ≥ 1bar water pressure Σ alkaline earth ions < 0,02 mmol/l, conductivity 0,1 - 15 µS/cm |
| 4 | Tap water* ³ | Quick-release coupling | X | 3/4 external thread on site, ≥ 1bar water pressure Σ alkaline earth ions ≤ 2,0 mmol/l, conductivity max. 300 µS/cm, 11°dH, 200mg/l CaCO ₃ |
| 5 | Drain | Quick-release coupling | X | Temperature-resistant installation (103°C in case of failure) Temperature controlled at 70°C (setable) |

| | Art.No. | A | B | C | Heat emission | Net weight | Test weight* ² |
|------------------------|---------|------|------|------|---------------|------------|---------------------------|
| Systemec Mediaprep-90 | 1790 | 870 | 1110 | 1650 | < 800 Watt/h | 200 kg | 326 kg |
| Systemec Mediaprep-120 | 1820 | 1000 | 1240 | 1780 | < 800 Watt/h | 220 kg | 382 kg |

X = Standard 0 = Optional -- = Not Available Length dimensions in mm

* Other voltages available on request

*² Test weight: Chamber completely filled with water for pressure test

*³ The included hose is required 3/4" external thread on site

| | | | | |
|--------------------------------------|-----------------|-----------------------------|---------------------------------------|-------------------|
| General tolerance ISO 2768 T1-m | Surface Ra | Material Stainless steel | Scale 1:1 | Weight |
| ISO 2768 T1-m | Stainless steel | Scale | Systemec Mediaprep-90 / Mediaprep-120 | |
| Systemec We are exclusive company | | | Zng.-Nr.: AZ 1790 EN | Rev.: 0 / 1 A0 |